

Toll free: 888-660-5892  
email: info@truxxx.com

**TIRE FITMENT ADVICE**  
The best way to ensure proper tire fitment is to install the kit before purchasing your wheels and tires. Always test fit tires and wheels before purchasing.

**VEHICLE RIDE WARNING!**  
Trucks with lift or level kits installed have a higher center of gravity. Aggressive and sudden direction changes may cause a tip over.

**105011 Ford F-150 SVT Raptor Leveling Kit**

This kit contains:  
2 - Strut Caps  
1 - Hardware Pack  
Instructions  
Warranty Card  
Stickers



**Installation Tips**

**Always use caution handling ABS or wheel sensor wiring. Avoid tension of any kind on wiring harness as this may cause damage or failure.**

1. Trucks are often not level side to side from the factory. Please measure before installation.
2. Re-torque all hardware to manufactures specifications
3. When aligning, to get the best tire wear use our supplied specifications. OEM specifications are for trucks with stock wheels and tires. Larger tires will wear differently.
4. All instructions are written with vehicle on a 2-post lift with tires removed.

**Step 1**

Disconnect sway bar link from control arm and separate tie rod end. On 4x4 models remove axle nut at hub. Support spindle assembly. Use caution with any ABS wiring to prevent damage. Separate upper ball joint. Remove lower strut mounting bolt and upper strut mount nuts and remove strut.

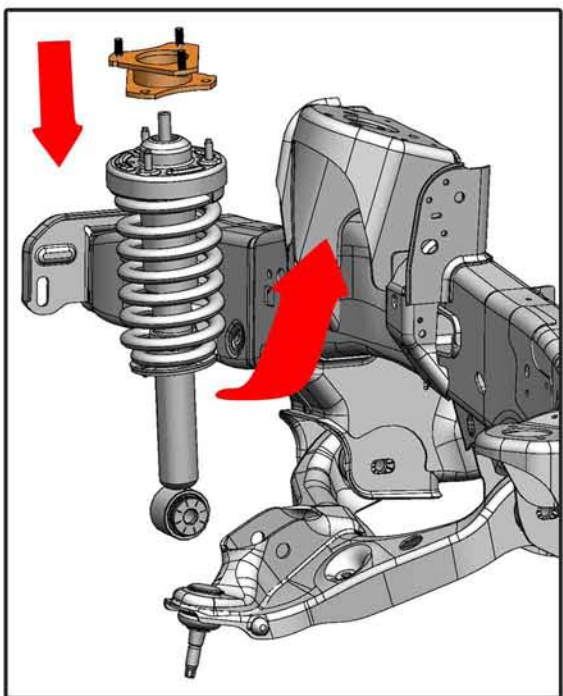
**Step 2**

Remove the shim from the top of the strut assembly before installing the TRUXXX spacer on the strut as shown in Figure A. Important: After Truxxx cap has been mounted to the strut, the excess factory studs will need to be cut 1/4" above the nut to allow for installation clearance.

**Step 3**

Note the twisted shape of the TRUXXX cap, the strut will be rotated 180° when reinstalled in the truck. The OEM strut mounting shim plates will be installed in the same position as stock (the lower shim placed on Truxxx cap on the strut assembly has narrow side facing "out" and the upper shim on the frame has the thick side facing "out"). Reinstall the strut assembly. A pry bar may aid in installation of the strut assembly. Use a pit jack to raise the lower control arm\* and re-connect ball joint. Verify that all hardware has been tightened to the proper torque specs.

**\*A tall jack may be needed under the rear bumper to steady the truck on the lift.**



**Figure A:** Illustration is for reference only. Part dimensions will vary from kit to kit.

**Alignment notes:**

We recommend that a technician with experience doing alignments on lifted trucks perform the alignment. Large tires wear differently than OEM sized tires. Always do an alignment after changing tires on a vehicle.

	Left	Right
Caster (degrees)	3	3.5
Camber (degrees)	0	-1/4 or -.25
Toe	1/16 or .0625 inch toe in	
Special Tools	none	