



Truxxx Manufacturing LLC
810 E 19th Street, Tucson, AZ 85719
Toll free at 888-660-5892 - Fax: 520-623-1663
See our products online at <http://www.truxxx.com>

Dear Truxxx™ Customer:

This notice is sent to you in accordance with the requirements of the National Traffic and Motor Vehicle Safety Act.

RE: Recall (08E-026): Truxxx Manufacturing, LLC Customer Notification and Instructions for Replacement/Reimbursement.

EFFECTIVE DATE: IMMEDIATE.

Truxxx Manufacturing, LLC (“Truxxx”) has decided that a defect which relates to motor vehicle safety exists in certain welded 3” lift blocks, part #206073 sold as replacements or included in Truxxx™ 2005-2008 Ford F-250 Superduty 4x4 suspension kits # 108035, 108036 sold between approximately July 26, 2007 and March 4, 2008. (See block illustration below). This notice is intended to advise you of Truxxx™ recall of these welded rear suspension blocks and provide instructions for replacement/reimbursement of the affected parts at no cost to you. We also ask you pass along a copy of this notice to end customers who may have purchased these kits and advise Truxxx™ at 800-381-8320 or info@truxxx.com with the names of any customers you have been unable to contact.

REASON FOR THIS RECALL: Truxxx™ has decided that compressive forces on the welded lift blocks resulting from foreseeable and excess vehicle payloads as well as over-tightening of the u-bolts during installation may distort the blocks, reducing the intended clamping force of the U-bolts. Loosened u-bolts may allow possible shifting and damage to the rear drive shaft and axle.

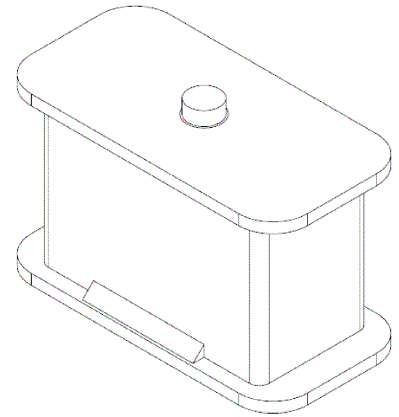
WARNING !

To prevent loss of vehicle control, risk of crash, injury and damage, inspect rear lift blocks and u-bolts before further use of your truck. Do not drive **any truck with bent or distorted lift blocks until replacement blocks are installed per this recall. If lift blocks are undamaged, inspect and re-torque u-bolts to 75 ft/lbs. Replace all welded lift blocks as instructed below.**

OBTAINING REPLACEMENT LIFT BLOCKS:

Truxxx™ will replace all welded lift blocks affected by this recall free of charge. Replacement lift blocks should be available from your Truxxx™ dealer by the time you receive this notice.

Alternatively you may contact Truxxx™ customer service direct at 800-381-8320 or info@truxxx.com. Welded blocks can be returned to your Truxxx™ dealer or contact Truxxx™ to obtain a pre-paid UPS shipping label. If you are unable to replace your welded lift blocks yourself, your Truxxx™ dealer/installer will perform the replacement and Truxxx™ will reimburse reasonable labor charges (up to .5 hours) upon return of your welded blocks and work invoice using a pre-paid UPS shipping label.



Customers who have already replaced affected welded 3” lift blocks prior to this notice may be eligible for reimbursement of their replacement costs and labor. Contact Truxxx™ at 800-381-8320 or info@truxxx.com. for details.

NO LONGER OWN THE TRUXXX™-EQUIPPED VEHICLE?

If you no longer own the vehicle affected by this recall, it is important you forward this notice to the current owner and contact Truxxx™ with the new owners address. If you are the Lesser of any vehicle affected by this recall you are required by law to provide a copy of this notification to the most recent Lessee known to you via first class mail within ten (10) days.

FURTHER ASSISTANCE: If you have questions regarding this recall, or are unable to obtain replacement lift blocks without charge, contact Truxxx™ at 800-381-8320 or info@truxxx.com. If after a reasonable period of time (no longer than 60 days after tender for repair), you are unable to obtain satisfactory service regarding this recall or replacement lift blocks without charge, you may also submit a complaint to the Administrator, National Highway Safety Administration, 1200 New Jersey Ave., SE Washington DC 20509 or call the toll-free Vehicle safety Hot Line at (1-888-327-4236) (tty: 1-800-424-9153); or go to <http://www.safercar.gov>.

We regret any inconvenience this recall may cause but hope you share our concerns for safe use and enjoyment of Truxxx™ products.